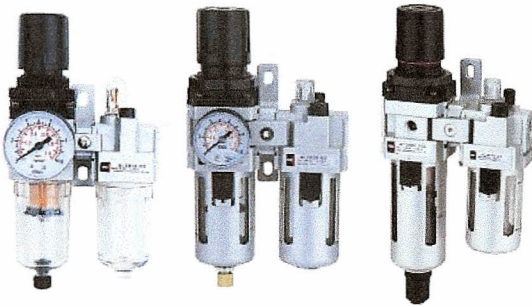


F.R.L unit AC series (two-union)

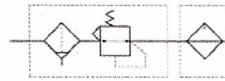


AC2010-02

AC3010-03A

AC3010-03D

Symbol:



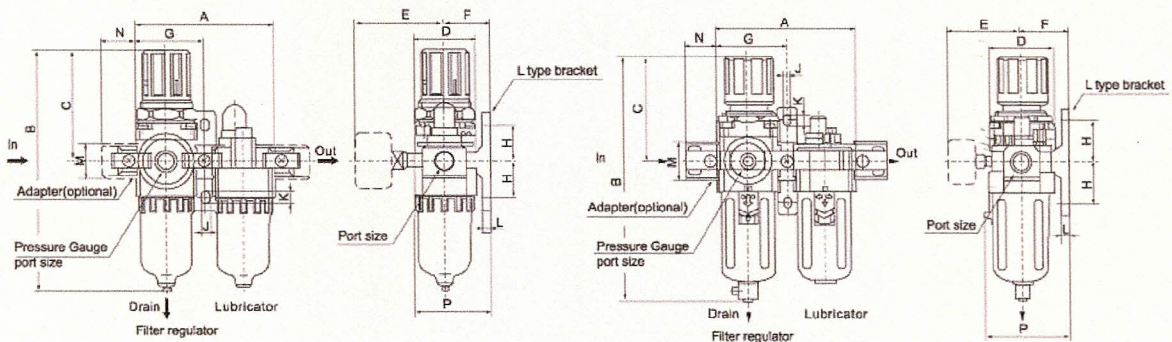
How to order

AC	2010	-	02	D
F.R.L unit	Body size		Port size	Drain type
	1010		M5:M5	Nil: Manual drain
	2010		02:1/4"	A: Semi automatic drain
	3010		03:3/8"	D: Automatic drain
	4010		04:1/2"	
	5010		06:3/4"	
			10:1"	

Specification

Model	AC1010-M5 AC1010-M5A AC1010-M5D	AC2010-02 AC2010-02A AC2010-02D	AC3010-02 AC3010-02A AC3010-02D	AC3010-03 AC3010-03A AC3010-03D	AC4010-03 AC4010-03A AC4010-03D	AC4010-04 AC4010-04A AC4010-04D	AC4010-06 AC4010-06A AC4010-06D	AC5010-06 AC5010-06A AC5010-06D	AC5010-10 AC5010-10A AC5010-10D
Component	Filter regulator Lubricator	AW1000 AL2000	AW2000 AL2000	AW3000 AL3000	AW3000 AL3000	AW4000 AL4000	AW4000 AL4000	AW5000 AL5000	AW5000 AL5000
Port size RC(PT)	M5X0.8	1/4"	1/4"	3/8"	3/8"	1/2"	3/4"	3/4"	1"
Pressure gauge port size	1/16"	1/8"	1/8"	1/8"	1/8"	1/4"	1/4"	1/4"	1/4"
Flow rate (L/Min)	90	500	1700	1700	3000	3000	3000	5000	5000
Fluid	Air								
Proof pressure	1.5Mpa(15.3kgf/cm ²)								
Max. operating pressure	1.0Mpa(10.2kgf/cm ²)								
Ambient & fluid temperature	5-60°C								
Nominal filtration rate	5µm								
Recommended lubrication	Turbine No.1 oil (ISO VG32)								
Adjustable pressure range	0.05~0.7Mpa 0.05~0.85Mpa								
Bracket	Y10T	Y20T	Y30T	Y30T	Y40T	Y40T	Y50T	Y50T	Y50T
Pressure gauge	Y30-10-M5	Y40-6-1/8	Y40-6-1/8	Y40-10-1/8	Y50-6-1/4	Y50-10-1/4			
Weight (kg)	0.22	0.66	0.98	0.98	1.93	1.93	1.99	2.7	2.7
Main parts material	Body Bowl Bowl guard	Aluminum alloy PC AC1010~AC2010: without AC3010~AC5010: with (Iron)							

Dimension



Model	Port size	A	B	C	D	E	F	G	H	J	K	L	M	N
AC1010	M5x0.8	58	109.5	50.5	25	26	25	29	20	4.5	7.5	5	17.5	16
AC2010	1/4"	90	164.5	78	40	56.8	30	45	24	5.5	8.5	5	22	23
AC3010	1/4", 3/8"	117	211	92.5	53	60.8	41	58.5	35	7	11	7	34.2	26
AC4010	3/8", 1/2"	154	262.5	112	70	70.5	50	77	40	9	13	7	42.2	26
AC4010-06	3/4"	164	267	114	70	70.5	50	82	40	9	13	7	46.2	36