

## Precision regulator IR1000/IR2000 series



### How to order

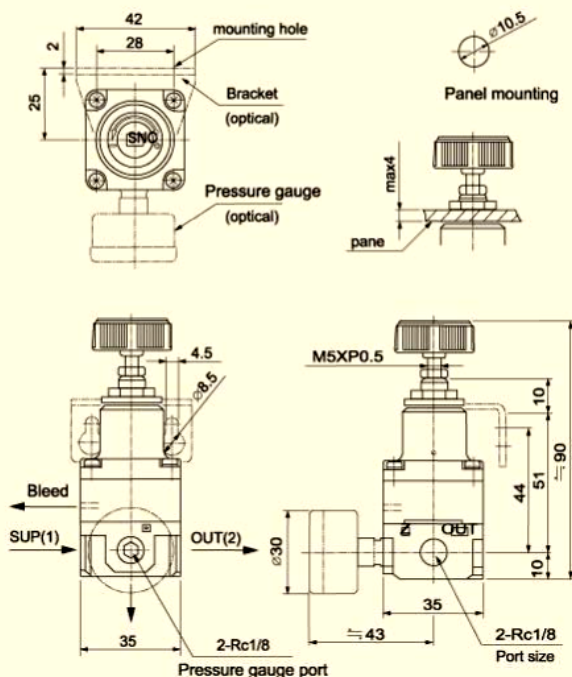
IR	2	0	00	-	□	02	□	R
Series code	Body size 1: IR1000 2: IR2000	Type of setting 0: basic type (handle) 1: air operated type	Regulating pressure range 0: 0.005~0.2Mpa 1: 0.01~0.4Mpa 2: 0.01~0.8Mpa		Thread type Nil: RC N*: NPT F*: G  note: option	Port size 01: 1/8" 02: 1/4"	Accessory Nil: non B: with bracket G: with pressure gauge	Suffix (pressure gauge mounting) R: pressure gauge, bracket name plate, mounting on the opposite side

### Specification

Model	IR1000-01	IR1010-01	IR1020-01	IR2000-02	IR2010-02	IR2020-02	IR3000-□	IR3010-□	IR3020-□	IR2120-02	IR3120-□
Min. operating pressure	Set pressure + 0.05Mpa						Set pressure + 0.1Mpa			Set pressure + 0.05Mpa	Set pressure + 0.1Mpa
Regulating pressure range	0.005~0.2	0.01~0.4	0.01~0.8	0.005~0.2	0.01~0.4	0.01~0.8	0.01~0.2	0.01~0.4	0.01~0.8		
Port size	1/8"			1/4"			3/8", 1/2"				
Pressure gauge model	G33-2-01	G33-4-01	G33-10-01	G43-2-01	G43-4-01	G43-10-01	G43-2-01	G43-4-01	G43-10-01		
Bracket mode	P36201023			P36202028			P36203018			P36202028	P36203018
Sensitivity	Within 0.2% of full span										
Repeatability	Within 0.5% of full span										
Air consumption	IR10□0	3.5 e/min(ANR) or less, operating pressure: 1.0Mpa									
	IR20□0	3.1 e/min(ANR) or less, operating pressure: 1.0Mpa									
	IR2120	3.1 e/min(ANR) or less, operating pressure: 1.0Mpa									
	IR30□0	Bleed hole: 9.5 e/min(ANR) or less perating pressure 1.0Mpa									
	IR3120	Exhaust hole: 2 e/min(ANR) or less perating pressure 1.0Mpa									
Ambient & fluid temperature	-5~60°C (not freezing)										
Max. operating pressure	1.0Mpa										
Weight (kg)											
Main parts material											

### Dimension

IR10□0-01



IR20□0-02

